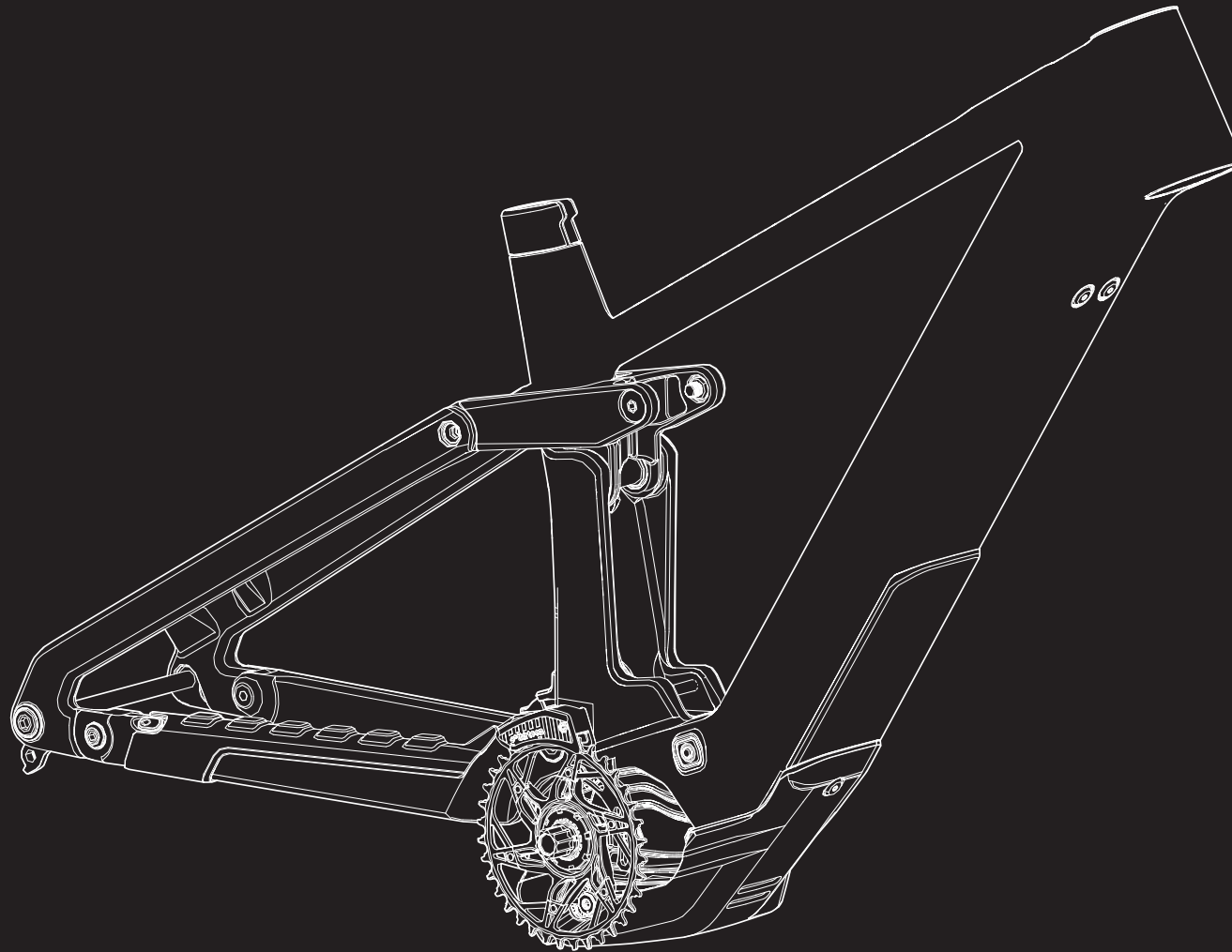


ROSE



ANY QUESTIONS?
rosebikes.de/support

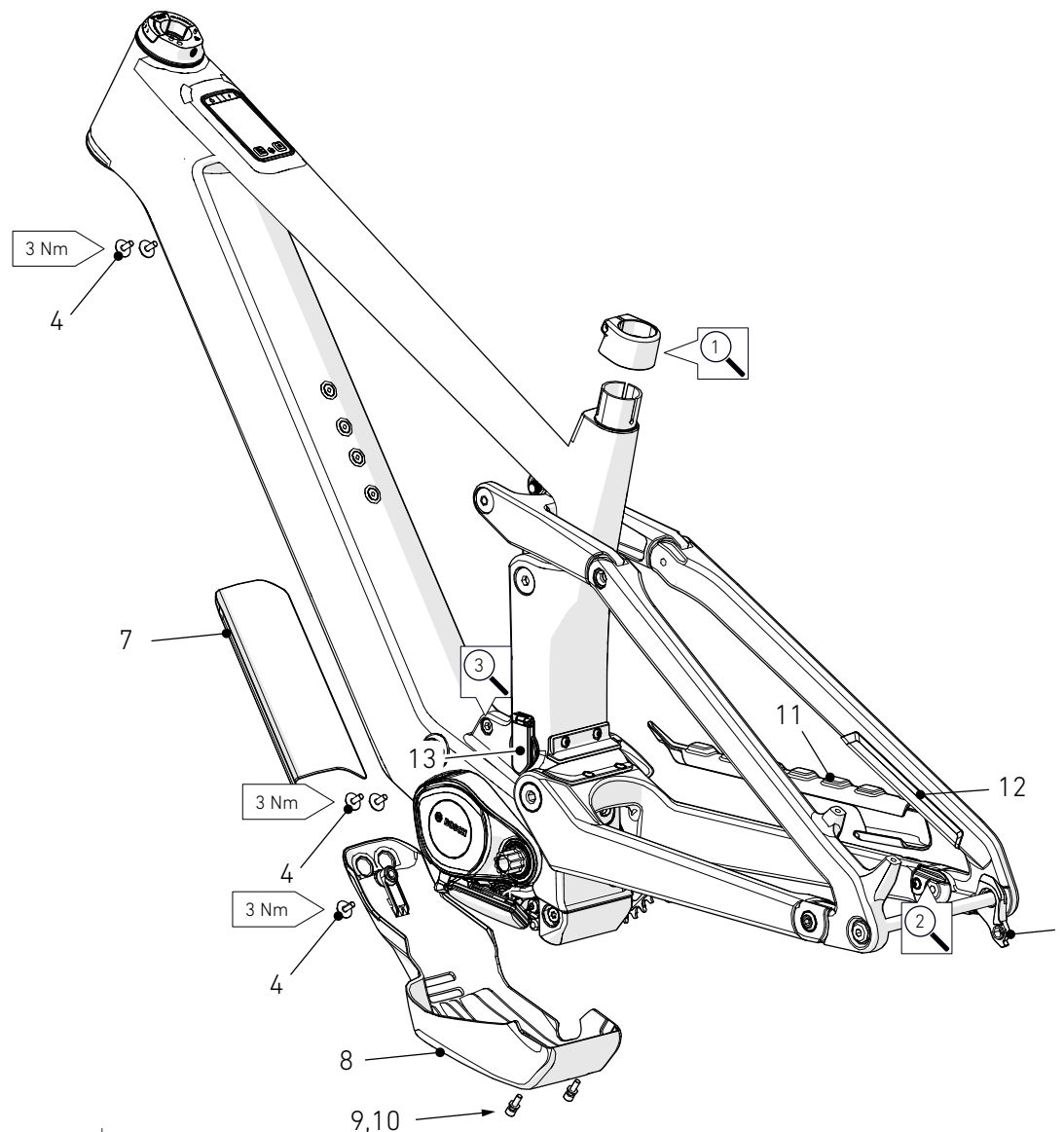
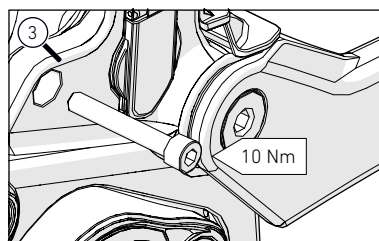
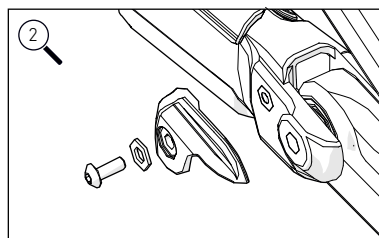
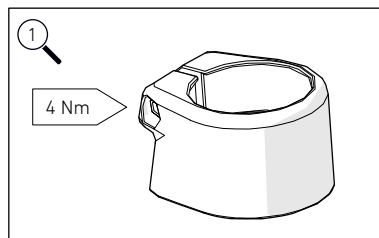
ROSE Bikes GmbH
Schersweide 4
46395 Bocholt, Germany

S L A B PLUS

FRAME DETAILS

SLAB PLUS

FRAME DETAILS

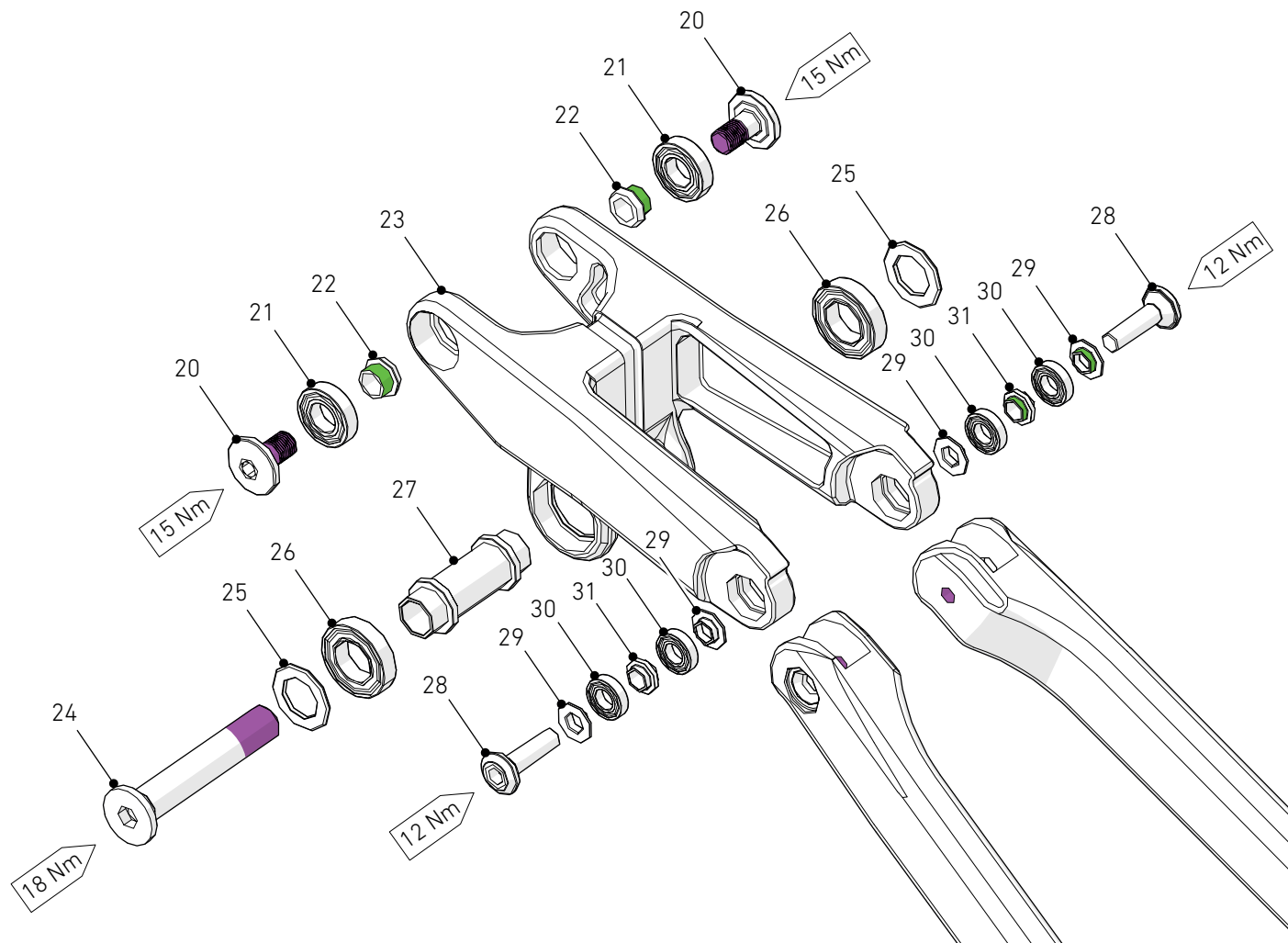


MAIN FRAME DETAILS

POS.	DESCRIPTION	SPECIFICATIONS	ART. NR.
1	seat clamp set		235284101
2	horst link protector	including screw and washer	1605300001
3	lower shock screw		1626800001
4	battery frame screw		1605010001
5	seat stay protector		230224501
6	udh derailleur hanger		230116501
7	downtube protector		1598470001

POS.	DESCRIPTION	SPECIFICATIONS	ART. NR.
8	motor cover		235284901
9	screws motor cover	2x	1601100001
10	washers motor cover	2x	1601110001
11	chainstay protector		1608710101
12	seat stay protector		230224501
13	charge port		235285101

FRAME DETAILS



ROCKER DETAILS

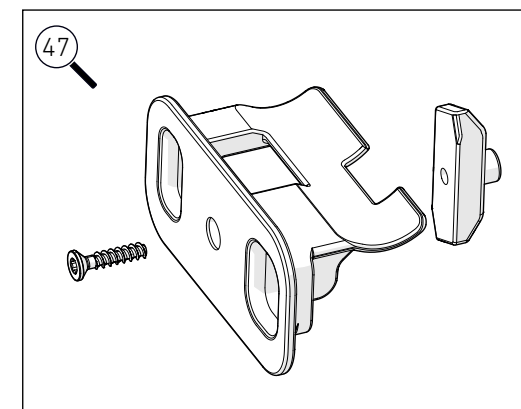
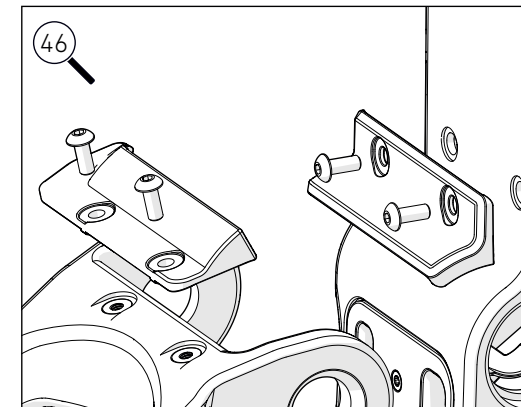
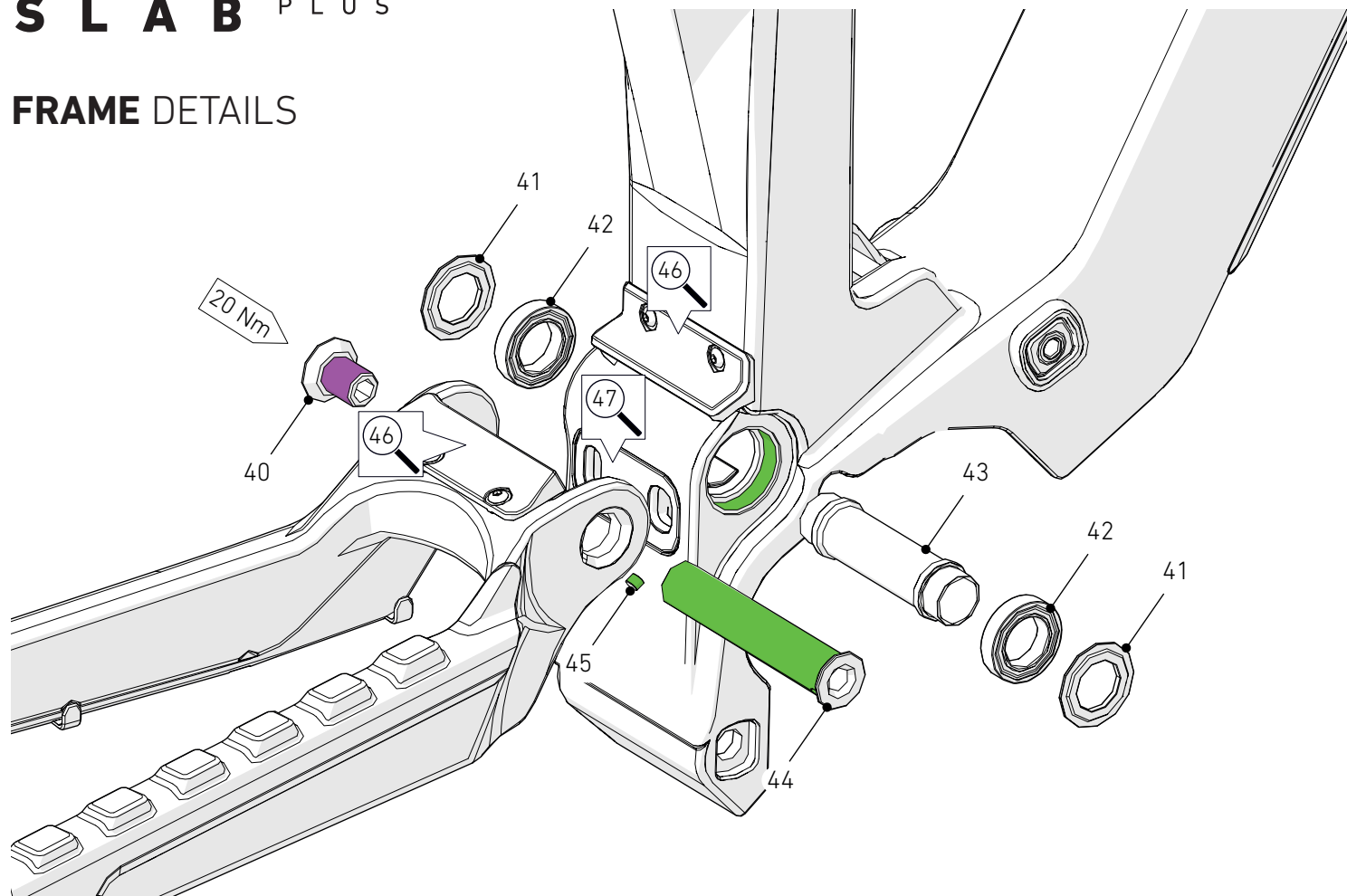
POS.	DESCRIPTION	SPECIFICATIONS	ART. NR.
20	trunnion mount screw		1626840001
21	trunnion mount bearing	61901 2RS1 / 24 x 12 x 6 mm	230182501
22	trunnion mount spacer		1626870001
23	rocker		1627120001
24	rocker pivot screw		1626890001
25	rocker pivot spacer		1626940001
26	rocker bearing	61903 2RS1 30 x 17 x 7 mm	1600670001
27	rocker pivot sleeve		1626920001

28	screw rocker seatstay		1600580001
29	L-washer	10 x 16 x 3,5 mm	1600590001
30	bearing	61800 2RS1 19 x 10 x 5 mm	1894558
31	T-washer	8 x 10 x 6,5 mm	1600600001
	GREASE	Motorex Bike Grease 2000 100 g	49208600

THREADLOCKER mid strength, for example Art. Nr. 1322431
 Where possible, apply threadlocker to the internal thread of the screw connection!

SLAB PLUS

FRAME DETAILS



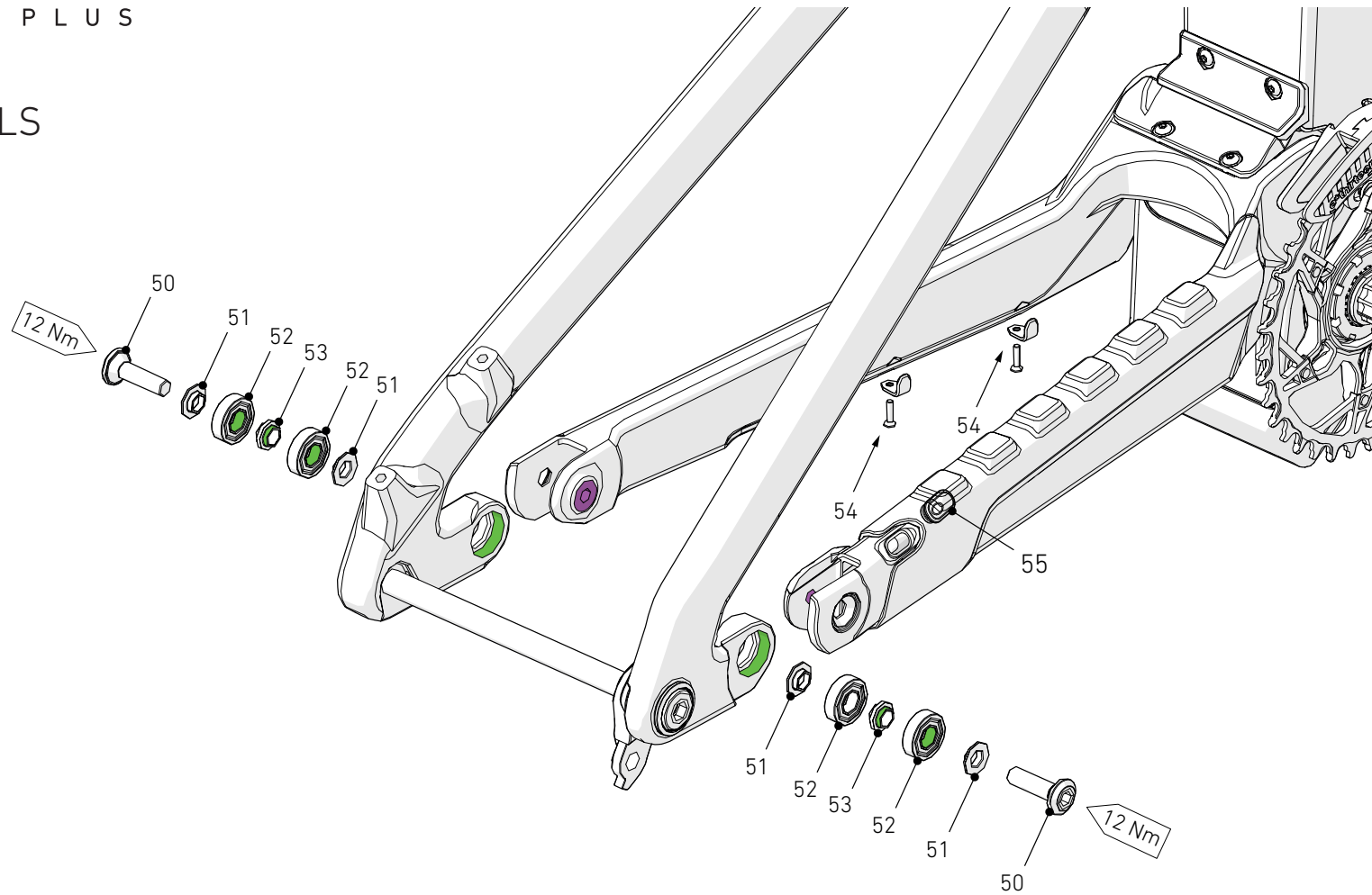
MAIN PIVOT DETAILS

POS.	DESCRIPTION	SPECIFICATIONS	ART. NR.
40	main pivot screw		1627010001
41	main pivot spacer		1627030001
42	main pivot bearing	61804 2RS1 32 x 20 x 7 mm	230182601
43	main pivot sleeve		1627070001
44	main pivot bolt		1627090001
45	feather key	ISO773 4 x 4 x 6mm	1600680001
46	fender kit	including 2x fender, screws and washers	1605280001
47	grommet cable exit motorbracket		235285401

	GREASE	Motorex Bike Grease 2000 100 g	49208600
	THREADLOCKER	mid strength, for example Art. Nr. 1322431	
Where possible, apply threadlocker to the internal thread of the screw connection!			

SLAB PLUS

FRAME DETAILS



HORST LINK DETAILS

POS.	DESCRIPTION	SPECIFICATIONS	ART. NR.
50	screw rocker seatstay/chainstay		1600580001
51	L-washer	10 x 16 x 3,5 mm	1600590001
52	bearing	61900 22 x 10 x 6 mm	230182701
53	T-washer	8 x 10 x 6,5 mm	1600600001
54	brake hose clip	including screw M3 x 12 mm	1598090001
55	cable exit plug		234333101
	GREASE	Motorex Bike Grease 2000 100 g	49208600

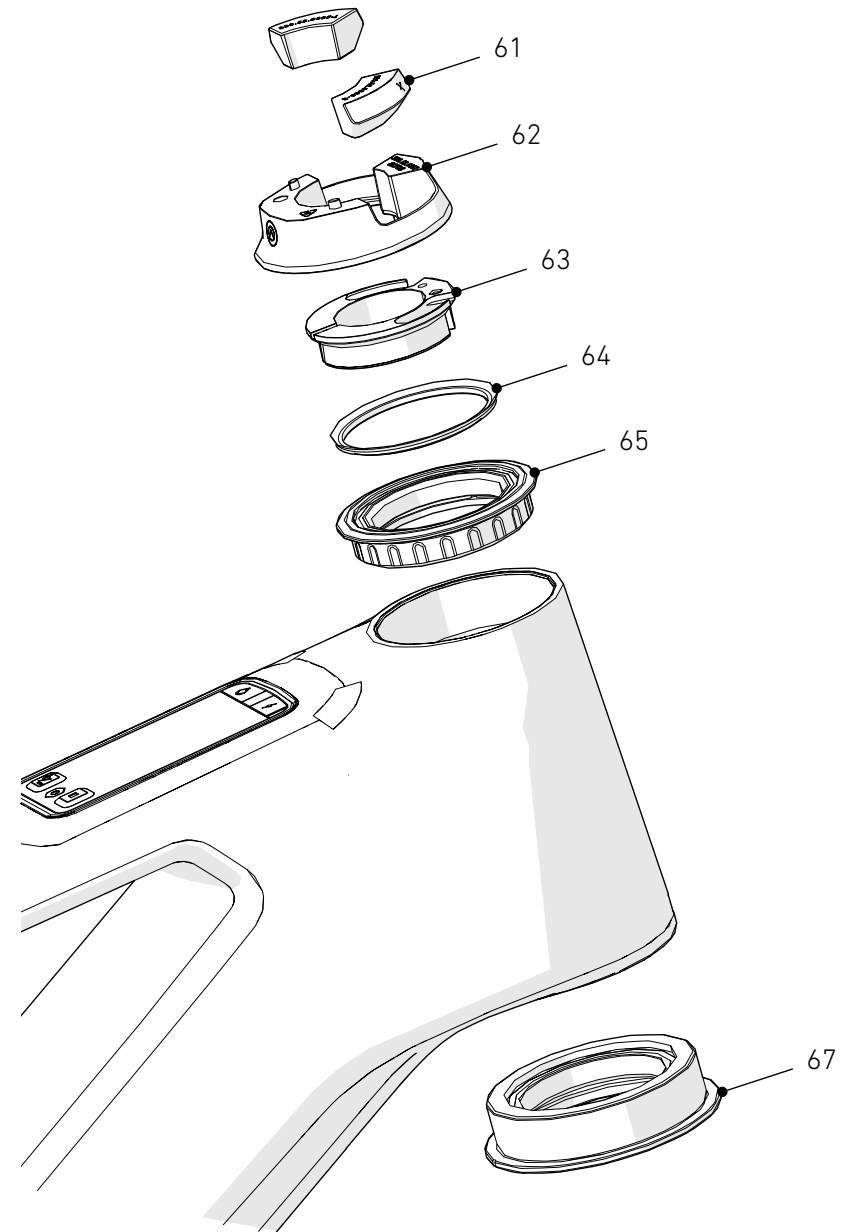
THREADLOCKER mid strength, for example Art. Nr. 1322431
 Where possible, apply threadlocker to the internal thread of the screw connection!

SLAB PLUS

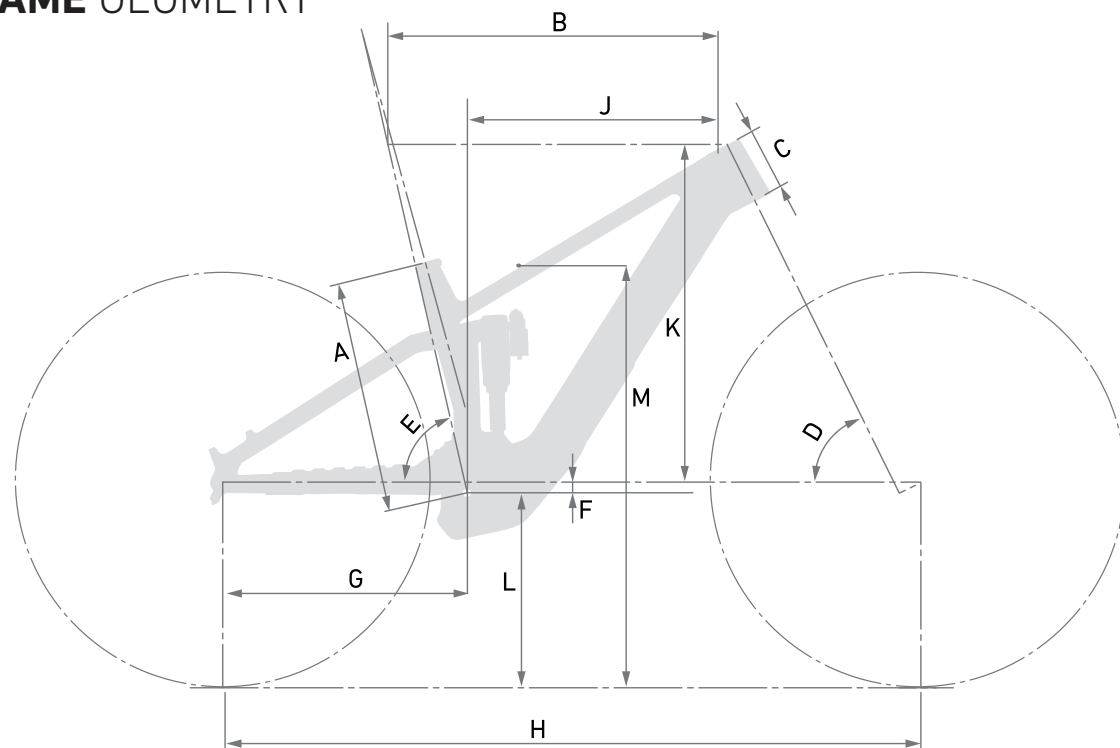
FRAME DETAILS

HEADSET DETAILS

POS.	DESCRIPTION	SPECIFICATIONS	ART. NR.
	spacer	size S & M: 2x / size L & XL: 3x	1627820001
61	plug set left+right		1627690001
62	head set cover		1627700001
63	center ring ICR		1627710001
64	IPS upper headset sealing		1627720001
66	upper bearing cup		1626820001
67	lower bearing cup		1626850001
	crown race Block Lock	Slab Plus XT: 1.8" auf 1.5"; BL 120° Slab Plus X0 & 70: 1.8"; BL 120°	1627860001 1627840001
	GREASE	Motorex Bike Grease 2000 100 g	



FRAME GEOMETRY



		SIZE S	SIZE M	SIZE L	SIZE XL
SEAT TUBE LENGTH	A	410	430	450	470
TOP TUBE LENGTH	B	578	605	632	659
HEAD TUBE LENGTH	C	115	115	125	135
HEAD ANGLE	D	64°	64°	64°	64°
SEAT ANGLE	E	77,8	77,8	77,8	77,8
BB DROP	F	22,5	22,5	22,5	22,5
CHAIN STAY LENGTH	G	448	448	448	448
WHEEL BASE	H	1247	1272	1297	1322
REACH	K	445	470	495	520
STACK	L	635	635	644	653
BB HEIGHT	M	356,5	356,5	356,5	356,5
STANDOVER HEIGHT	N	769	769	769	769

FRAME INTERFACES

HEADSET	Z556/Z566
REAR WHEEL AXLE	179 x M12, thread length: 13 mm Newmen rear axle for UDH use, Art. Nr. 234900302 SRAM Maxle stealth rear for UDH use, Art. Nr. 230185901
DERAILLEUR HANGER	SRAM UDH, Art. Nr. 230116501
SHOCK LENGTH X STROKE	205 x 65 mm
SHOCK HARDWARE	Trunnion Mount / Ø8 x 30 mm
REAR BRAKE MOUNT	PM 180 mm
MAX. Ø REAR BRAKE DISC	203 mm
Ø SEAT TUBE	31,6 mm
Ø SEAT POST CLAMP	36 mm
MAX. TIRE WIDTH	2,5"
WHEEL SIZE	29 front and rear
MAX. CHAINRING SIZE	36 T
REAR HUB SPACING	12 x 148 mm

MAX SYSTEM WEIGHT (RIDER + BICYCLE + CLOTHING + GEAR + LUGGAGE): 130 KG
 BICYCLE WEIGHT: 23,5KG - 25KG (+/-5%) DEPENDING ON FRAME SIZE AND MODEL
 INTENDED USE: DIN 17406 CATEGORY 4