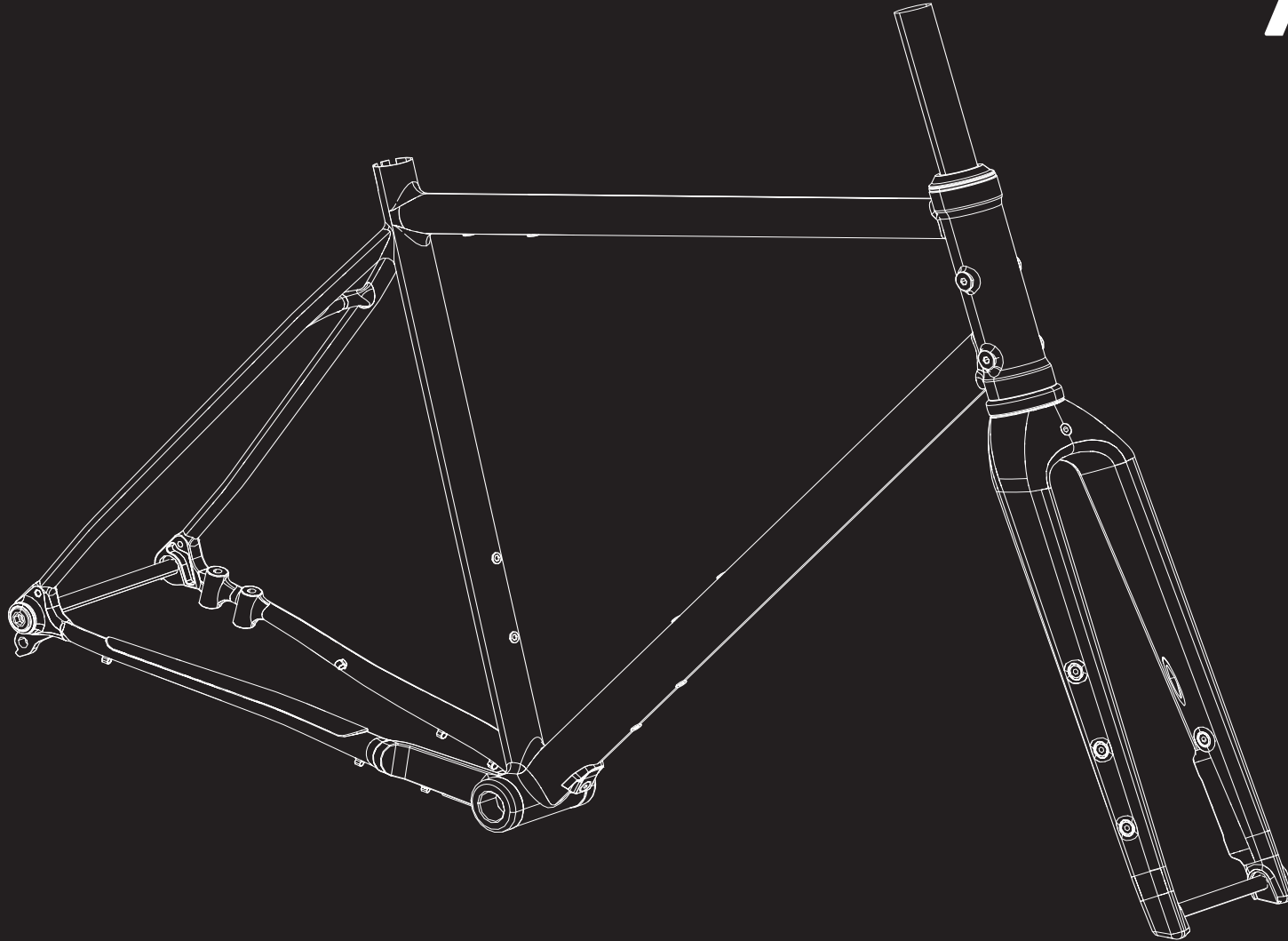


# ROSE



**ANY QUESTIONS?**

[rosebikes.de/support](https://rosebikes.de/support)

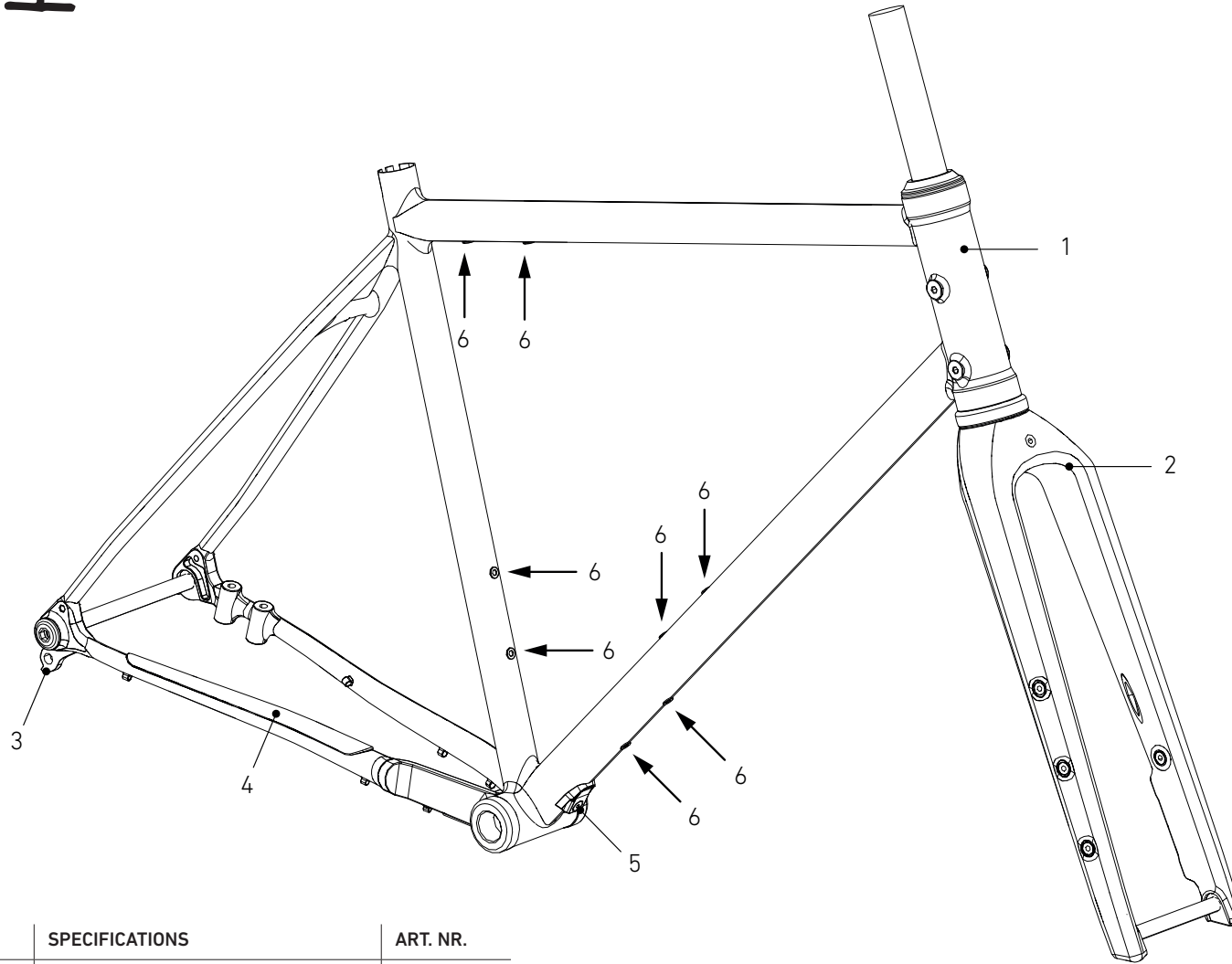
ROSE Bikes GmbH  
Schersweide 4  
46395 Bocholt, Germany



**FRAME DETAILS**



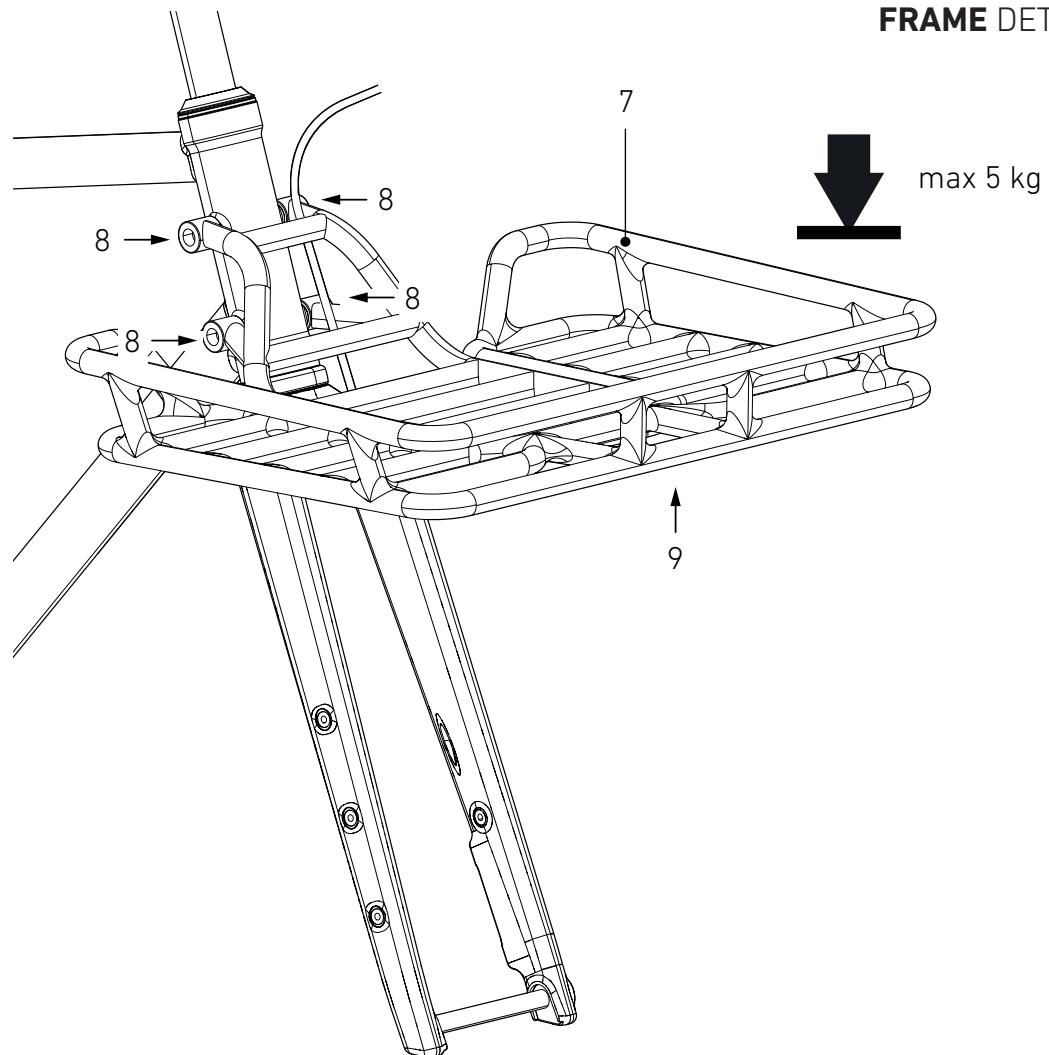
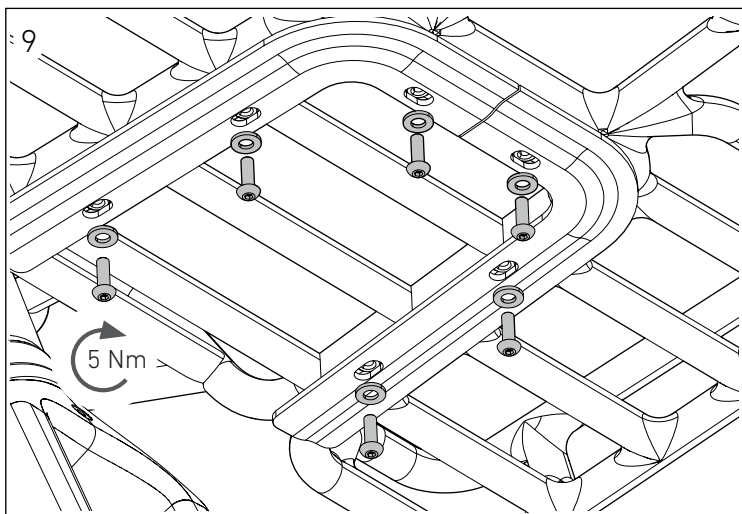
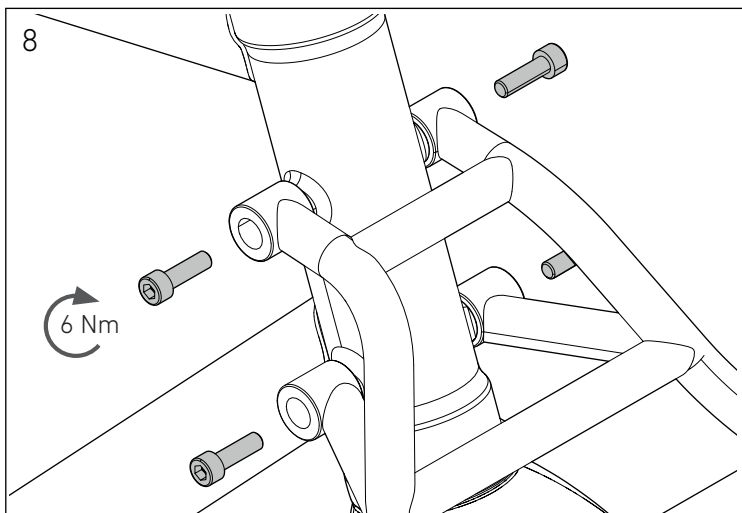
## FRAME DETAILS



POS	DESCRIPTION	SPECIFICATIONS	ART. NR.
1	frame	color: maliblu	2320597
		color: pine green	2320596
		color: speckled white	2320595
		color: yellow	121599060
2	fork	color: black	232156501
		color: pink	1033680401
3	derailleur hanger	SRAM UDH	231585301
4	chainstay protector		2325221
5	cable guide		2310954
6	screw for bottle holder	max torque: 2 Nm	2325486



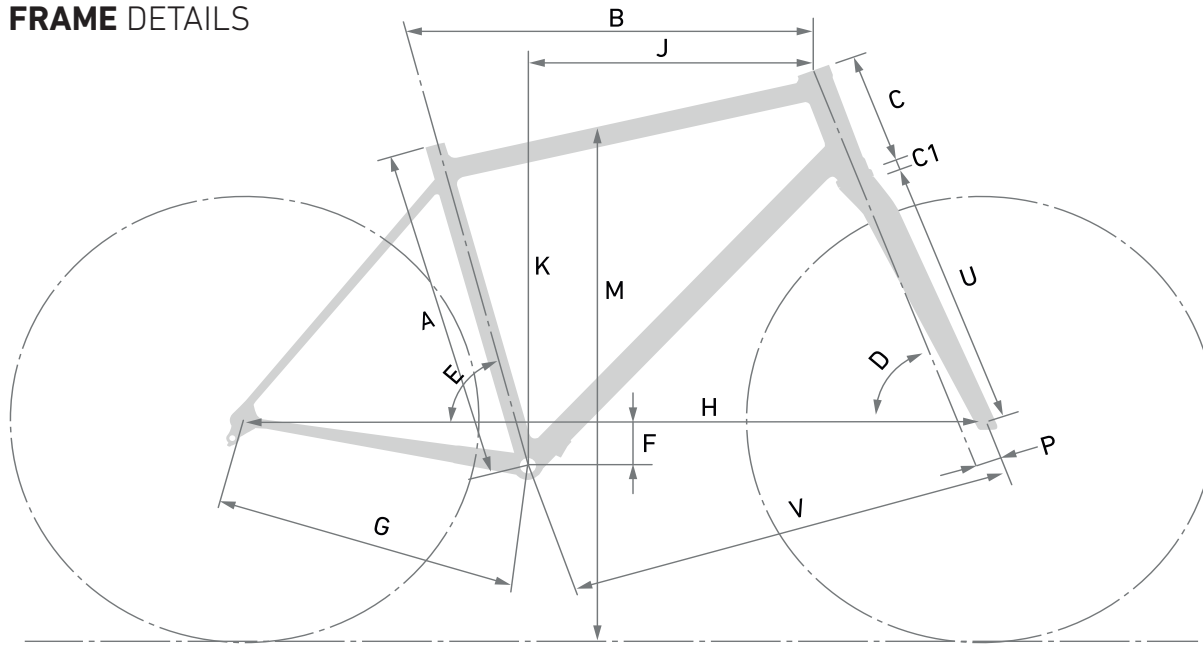
## FRAME DETAILS



POS	DESCRIPTION	SPECIFICATIONS	ART. NR.
7	rack	color: canary	1644370101
		color: bubblegum	1644370301
		color: serious black	1644370201
8	frame fixing screw	M6x20 mm, 4 pieces	2330745
9	screw	M5x15 mm, 6 pieces	2330746



## FRAME DETAILS



## FRAME GEOMETRY

		S	M	L	XL
SEATTUBE LENGTH [MM]	A	460	510	560	610
TOPTUBE LENGTH HORIZONTAL [MM]	B	553	585	620	650
HEADTUBE LENGTH [MM]	C	140	170	200	230
EXTERNAL HEADSET CUP HEIGHT [MM]	C1	12,6			
HEAD TUBE ANGLE	D	70°			
SEAT TUBE ANGLE	E	75°	74,5°	74°	73,5°
BB DROP [MM]	F	70			
REAR CENTER [MM] (CHAINSTAY LENGTH) [MM]	G	420			
WHEELBASE [MM]	H	1047	1076	1108	1134
REACH [MM]	K	398	417	438	454
STACK [MM]	L	578	607	634	663

## FRAME INTERFACES

BOTTOM BRACKET	BSA 68
REAR WHEEL AXLE	12 x 142 mm
REAR BRAKE MOUNT	Flat Mount direct 160mm with adapter 180mm
HEADSET	ZS44   EC44
MAX Ø DISC	180 mm
SEATPOST	27.2mm x 350mm (100mm min. Insert)
MAX. TIRE SIZE	650B x 55 without mudguards and kick stand 650B x 47 with mudguards or kick stand
CRANKSET SPEC	GRX 49,7mm Kettenlinie; max 42t
FRONT DERAILLEUR MOUNT	no
BOTTLE CAGE	yes, 4x
REAR RACK MOUNT	yes, max. load 8 kg per side

## FORK INTERFACES

FRONT WHEEL AXLE	12 x 100mm
FRONT BRAKE MOUNT	Flat Mount direct 160mm with adapter 180mm
MAX Ø DISC	180 mm
MAX. TIRE SIZE	650B x 55 without mudguards 650B x 47 with mudguards
BOTTLE CAGE / ACCESSORY MOUNT	3 kg per side

MAX SYSTEM WEIGHT (RIDER + BICYCLE + CLOTHING + GEAR + LUGGAGE): 110 KG  
INTENDED USE (DIN 17406): CATEGORY 2